

# CONBRACO 40-500/PVB-40 SERIES

<u>SIZE</u>	<u>MODEL NO</u>
1/2"	40-503
3/4"	40-504
1"	40-505
1 1/4"	40-506
1 1/2"	40-507
2"	40-508

## DESCRIPTION

This is a pressure vacuum breaker assembly. Production began in 1991 and was discontinued in 2003. It is a bronze bodied unit. The check seat is cast in the body and is not replaceable. The check spring is contained when the bonnet is removed. Note each size has a different model number, but they are all in the 40-500 series.

## BASIC REPAIR KIT

Repair kit contains all rubber discs and O-rings

<u>SIZE</u>	<u>KIT NO</u>
1/2"-1"	40-500-01
1 1/4"-2"	40-500-03

## IMPORTANT FEATURES

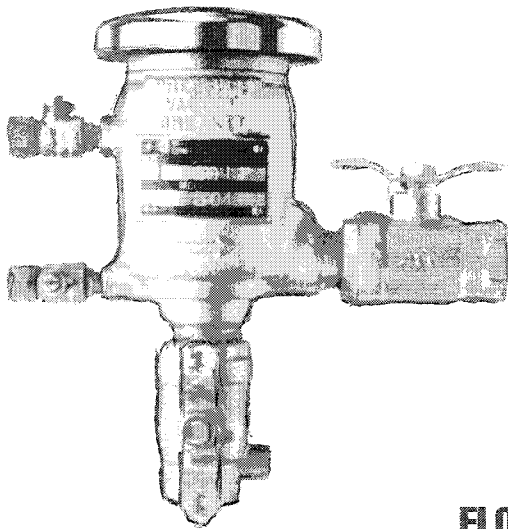
*~Bronze body*

*~Contained springs*

*~Check seats are not replaceable*

*~Factory repair information enclosed*





## Pressure Type Vacuum Breaker

Sizes 1/2" — 3/4" — 1"

1-1/4" — 1-1/2" — 2"

### DESCRIPTION

The Conbraco Series 40-500 Pressure Type Vacuum Breaker is designed to prevent back-siphonage of contaminated water into a safe drinking water supply. It is ideally suitable for installation in a continuous pressure potable water supply system 12" above the overflow level of the system being supplied. It consists of a spring-loaded float disc and an independently acting check valve in a corrosion resistant material.

### OPERATION

Under normal flow conditions, the check valve remains open and the float disc seals the air inlet preventing leakage. When the internal pressure of the device falls to 1 PSI or below, the spring-loaded float disc opens the air inlet and the check valve closes the water inlet. This prevents back-siphonage and creation of a vacuum at the discharge line.

### FEATURES

- Corrosion resistant
- Durable
- Economical
- Designed for easy maintenance
- Low head loss
- Comes standard with "Apollo" ball-type shut-off valves
- Maximum Working Pressure 150 PSI
- Operating Temperature Range 33-210°F

### MATERIALS

1. Body	Bronze
2. Springs	Stainless Steel
3. Seat Discs	Silicone Rubber
4. Valve Canopy	Chrome Plated Brass
5. Float	Polyethylene
6. Fasteners	Stainless Steel

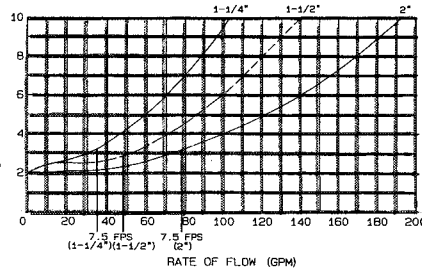
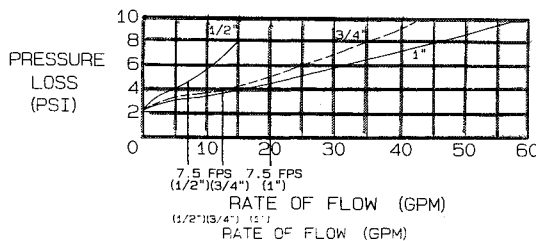
### ORDERING NUMBER

1/2" — 40-503  
 3/4" — 40-504  
 1" — 40-505  
 1-1/4" — 40-506  
 1-1/2" — 40-507  
 2" — 40-508

### SUFFIX NUMBERS

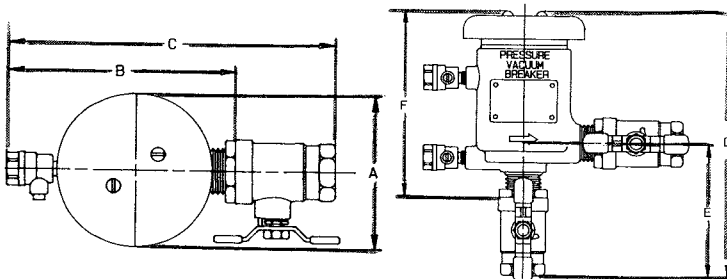
-01 less ball valves  
 -02 with ball valves  
 -04 with union end ball valves

### FLOW CURVES



### DIMENSIONS (IN.)—WEIGHTS (LBS.)

Body Size	1/2"	3/4"	1"	1 1/4"	1 1/2"	2"
A	3-7/8	3-7/8	3-7/8	6-5/8	6-5/8	6-5/8
B (Less Ball Valves)	5-7/8	5-7/8	5-7/8	8-3/4	8-3/4	8-3/4
C	8-1/4	8-1/2	9-1/8	11-7/8	12-1/8	13
D	8-1/8	8-3/8	9	12-1/8	12-13/16	13-7/8
E	3-7/8	4-1/8	4-3/4	6-1/8	6-7/8	7-15/16
F (Less Ball Valves)	5-7/8	5-7/8	5-7/8	9-1/4	9-1/4	9-1/4
Test Cocks	1/8 x 1/4NPT	1/8 x 1/4NPT	1/8 x 1/4NPT	1/4 x 1/4NPT	1/4 x 1/4NPT	1/4 x 1/4NPT
Net Wt. (Less Ball Valves)	4.0	4.25	4.5	14.0	14.1	14.2
Net Wt. (w/ Ball Valves)	5.5	6.25	7.0	20.5	22.3	28.3
Shipping Wt. (Less Ball Valves)	5.0	5.25	5.5	15.2	15.6	15.7
Shipping Wt. (w/ Ball Valves)	6.5	7.25	8.0	21.7	23.8	29.8



# CONBRACO 40-500 SERIES

