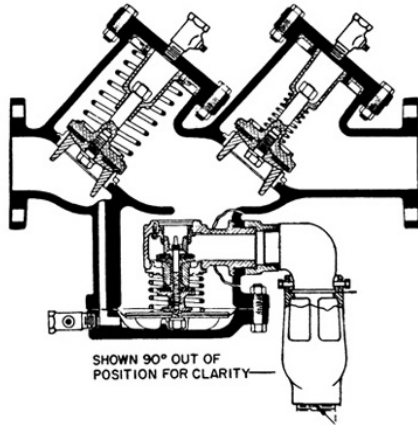




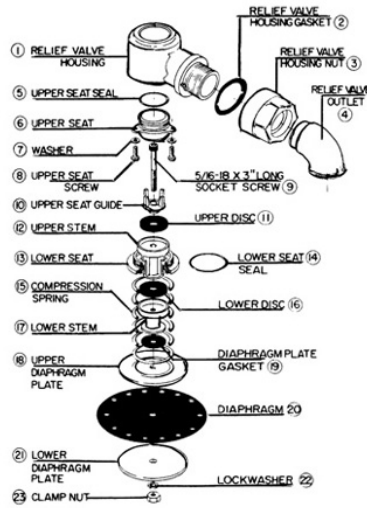
800-458-3492

Common Backflow Repair Parts - Hersey/Beeco

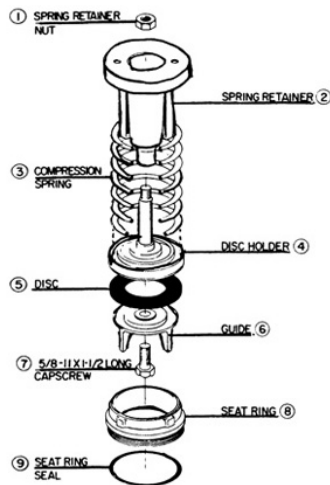
6CM Cast Iron Body 2 1/2" – 10"
6CM Bronze Body 2 1/2" – 6"



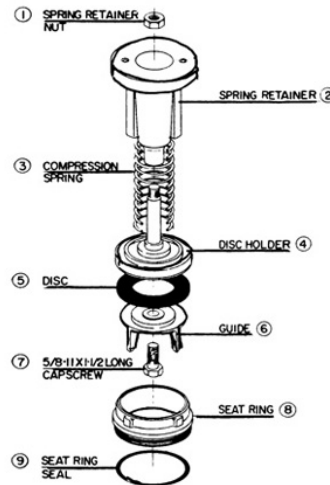
RELIEF VALVE ASSEMBLY and HOUSING ASSEMBLY
 2 1/2" – 6" Model 6CM



MAIN VALVE ASSEMBLY
 2 1/2" – 6" Model 6CM



CHECK VALVE ASSEMBLY
 2 1/2" – 6" Model 6CM



Common Backflow Repair Parts:

6CM Cast Iron Body	2 1/2"	3"	4"	6"	8"	10"
Rubber Repair Kit	63543	63350	63450	63650	63850	63950

Rubber Kit for both Checks	--	63351	63451	63651	63851	63951
1st Check Stem Assy	63512	63312	63412	63612	63812	63912
2nd Check Stem Assy	63513	63313	63413	63613	63813	63913
1st Check Spring	63507	63307	63407	63607	63807	63907
2nd Check Spring	63508	61388	62304	61485	63808	63908
RV Stem Assy	63314	63314	63314	63314	63814	63814
RV Spring	60236	60236	60236	60236	61503	61503