

Series 800M4

RP/IS-800M4QT

Anti-Siphon Pressure Vacuum Breaker featuring Replaceable Seats

Sizes: 1/2", 3/4", 1", 1 1/4", 1 1/2", 2"
(15, 20, 25, 32, 40, 50mm)

Function: To protect the potable water supply from backflow from a non-potable source due to a drop in supply.

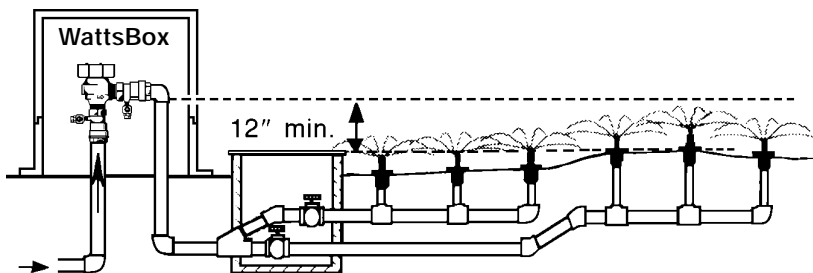
Protection: Pressure i.e. backsiphonage

Installation

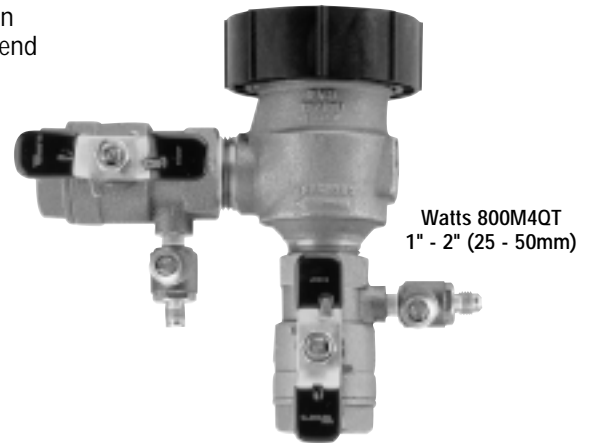
- Requirements:**
1. Install 12" (305mm) above highest point of downstream piping.
 2. Install bonnet side up and allow for accessibility for testing/service.
 3. Install where discharge or spillage is not objectionable.
 4. Do not undersize supply or oversize the valve in relation to demand.
 5. Do not install where backpressure can occur.
 6. Protect from freezing - for Freeze Protection specify No. 800M4-FR 1/2" - 2" (15 - 50mm) . Freeze protection can also be provided using a WattsBox insulated enclosure. Send for ES-WB or ES-WB-T for additional information.
 7. ASSE Standard 1020 requires that the atmospheric vent valve remains open until the valve body pressure exceeds 1 lb. Until this pressure is reached, some amount of spillage will occur at the atmospheric vent. In order to minimize this leakage on **start-up** close the down stream shutoff valve and open inlet shutoff valve quickly

Recommended Service:

1. Test periodically as required by local jurisdictional authorities.
2. Open test cocks to drain in cold climates if only operated seasonally.
3. **Replace** rubber goods every 5 years.



Watts 800M4QT
1/2", 3/4"
(15, 20mm)



Watts 800M4QT
1" - 2" (25 - 50mm)

Pressure - Temperature

Working Temp: 33°F - 140°F (.56°C - 60°C)
Max. Pressure: 150 psi (10.3 bar)
Min. Pressure: 15 psi (103 kPa)

CALIFORNIA PROPOSITION 65 WARNING

WARNING: This product contains chemicals known to the State of California to cause cancer and birth defects or other reproductive harm. (Installer: California law requires that this warning be given to the consumer.)

For more information: www.wattsind.com/prop65



USA: 815 Chestnut St., No. Andover, MA 01845-6098; www.wattsreg.com
Canada: 5435 North Service Rd., Burlington, ONT. L7L 5H7; www.wattscoa.com

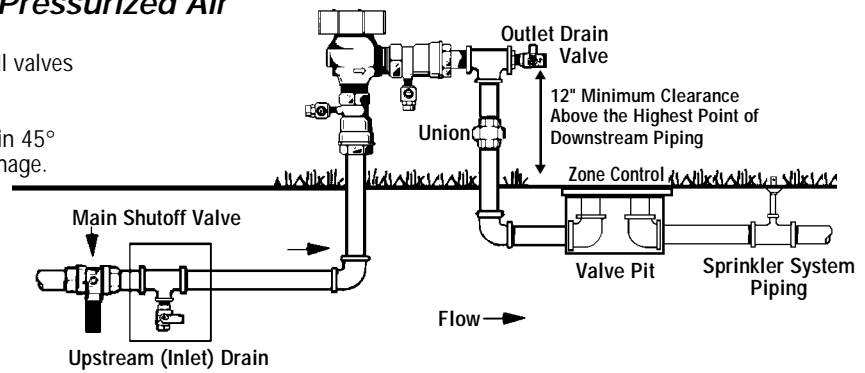


LIMITED WARRANTY: Watts Regulator Company warrants each product against defects in material and workmanship for a period of one year from the date of original shipment. In the event of such defects within the warranty period, the Company will, at its option, replace or recondition the product without charge. This shall constitute the exclusive remedy for breach of warranty, and the Company shall not be responsible for any incidental or consequential damages, including without limitation, damages or other costs resulting from labor charges, delays, vandalism, negligence, fouling caused by foreign material, damage from adverse water conditions, chemicals, or any other circumstances over which the Company has no control. This warranty shall be invalidated by any abuse, misuse, misapplication or improper installation of the product. THE COMPANY MAKES NO OTHER WARRANTIES EXPRESS OR IMPLIED EXCEPT AS PROVIDED IN THIS LIMITED WARRANTY.

FREEZE PROTECTION GUIDELINES

Purging of a PVB Assembly with Pressurized Air

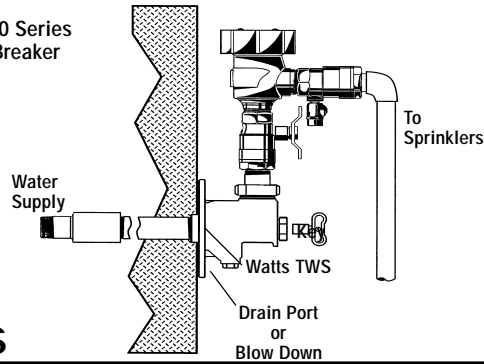
1. Close main shutoff valve.
2. Open upstream drain, test cocks and isolation ball valves to depressurize line.
3. Purge with pressurized line.
4. Leave test cocks and isolation ball valve handles in 45° angle to drain ball valves and prevent casting damage.



TYPICAL INSTALLATION

Using TWS Hydrant

TWS with Watts 800 Series Pressure Vacuum Breaker



Note: PVB's must be installed a minimum of 12" (305mm) above the highest point of water in the sprinkler system.

SERVICE AND REPLACEMENT PARTS

Internal parts can be removed, repaired or inspected without removing the valve from the piping.

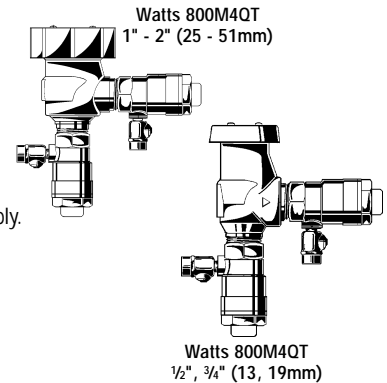
Disassembly

1. Shut off the supply pressure and drain the valve.
2. Remove the two hood screws and the hood.
3. Place a wrench on the parallel flats of bonnet and stem assembly. Turn counter clockwise and remove.
4. Remove the vent assembly.
5. Press down on the spring retainer and disengage it from the retaining lugs. Then turn 90° and remove.
6. Remove the spring retainer and spring. Note that the large diameter of the spring is down on the guide assembly.
7. Remove the check disc holder and guide assembly.
8. Disassemble the check disc holder assembly.

Reassembly

Reassemble in the reverse order utilizing the new parts from the repair kit.

800M4 REPAIR KITS



Ordering Code	Model	Size	
		in	mm
Check Kits			
887703	*RK 800M4 CK	1/2, 3/4	15, 20
887704	*RK 800M4 CK	1	25
887705	*RK 800M4 CK	1 1/4 - 2	32 - 50

Kits consist of: Check disc assembly (disc & disc holder), Bonnet O-ring and Check Spring.

Vent Float Kits

887709	RK 800M4 V	1/2, 3/4	15, 20
887710	RK 800M4 V	1	25
887711	RK 800M4 V	1 1/4 - 2	32 - 50

Kits consist of: Float vent disc assembly (vent float, seal & spring) and Bonnet O-ring.

Freeze Protection Float Kit

887725	RK 800M4 FRV	1/2, 3/4	15, 20
887715	RK 800M4 FRV	1	25
887716	RK 800M4 FRV	1 1/4 - 2	32 - 50

Kit consists of: Float, vent spring and Bonnet O-ring.

Bonnet Assembly Kits

887700	RK 800M4 B	1/2, 3/4	15, 20
887701	RK 800M4 B	1	25
887702	RK 800M4 B	1 1/4 - 2	32 - 50

Kits consist of: Bonnet, Bonnet O-ring, Vent spring, hood & hood screws.

For Retrofit of Models M2 & M4 to M4FR

Ordering Code	Model	Size	
		in	mm
887726	Retro 800M4 FR	1/2, 3/4	15, 20
887717	Retro 800M4 FR	1 1/4 - 2	32 - 50

Kits consist of: Float, spring, Bonnet and Bonnet O-ring.

Ordering Code	Model	Size	
		in	mm
Rubber Parts Kits			
887706	RK 800M4 RT	1/2, 3/4	15, 20
887707	RK 800M4 RT	1	25
887708	RK 800M4 RT	1 1/4 - 2	32 - 50

Kits consist of: Vent disc, Check disc and Bonnet O-ring.

Seat Kits

887712	RK 800M4 S	1/2, 3/4	15, 20
887713	RK 800M4 S	1	25
887714	RK 800M4 S	1 1/4 - 2	32 - 50

Kits consists of: Seat, Seat O-ring and Bonnet O-ring.

Note: *Fits 800M4 FR Model

Watts reserves the right to change or modify product design, construction, specifications, or materials without prior notice and without incurring any obligation to make such changes and modifications on Watts products previously or subsequently sold.